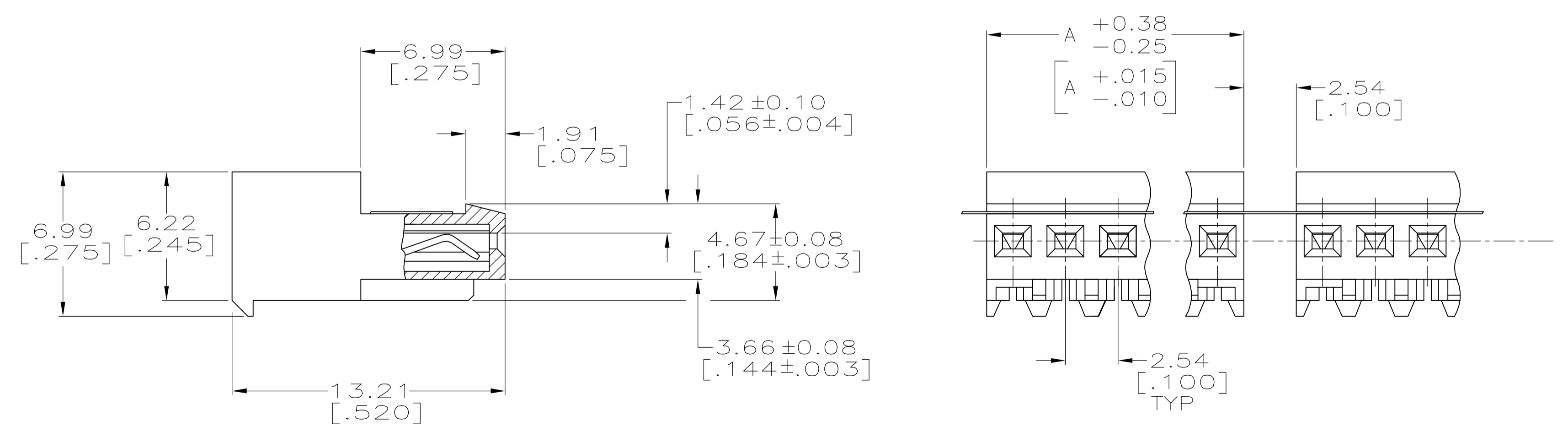
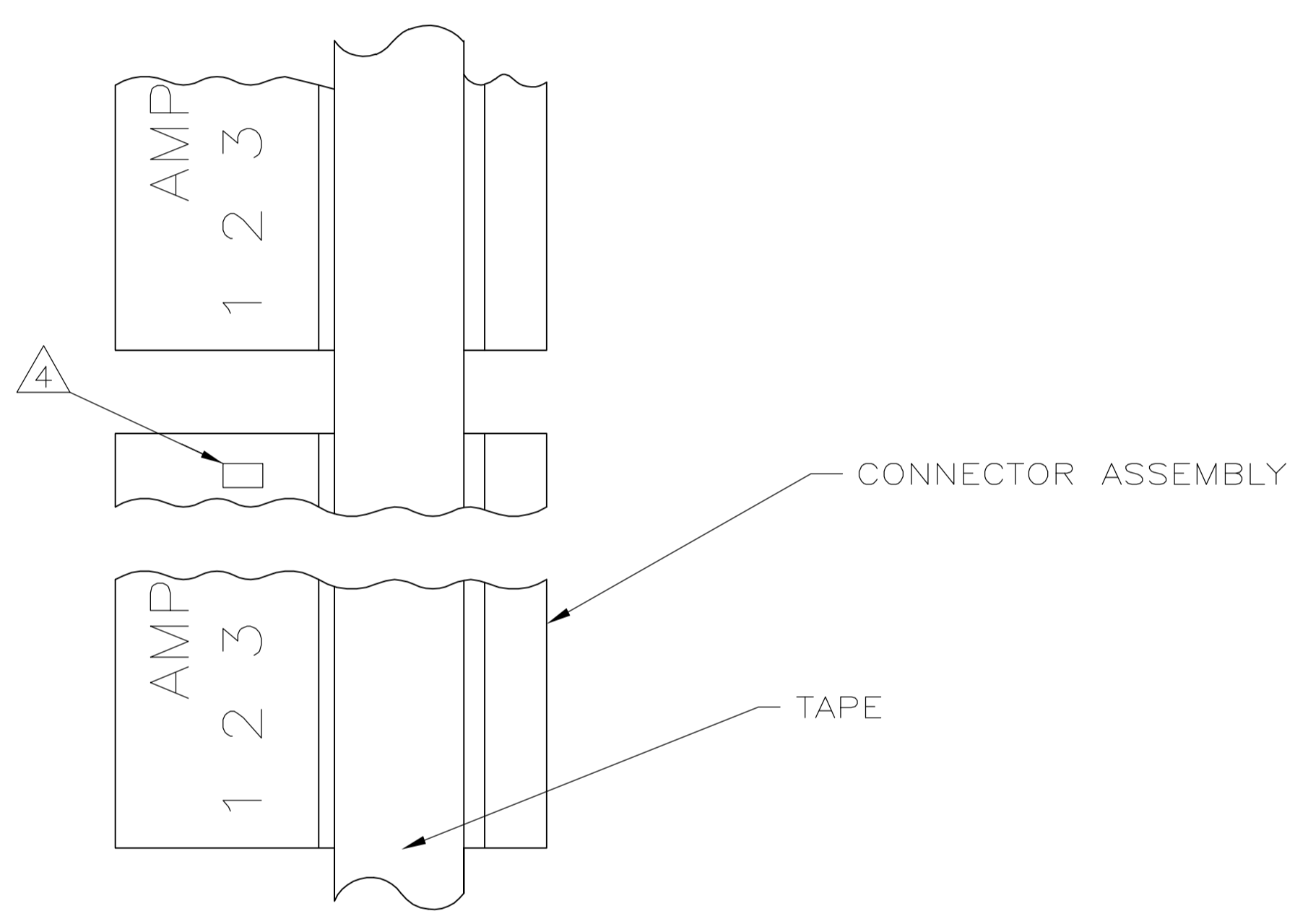


- 1 MATERIAL: CONNECTOR-NYLON UL94V-2 (BLUE).
 CONTACTS-0.30 [.012] THICK COPPER ALLOY
 BRIGHT TIN-LEAD 0.00203 [.000080] MINIMUM THICK FOR CONTACTS
 644343-2,
 MATTE WHISKER MITIGATED TIN PLATE 0.00203 [.000080] MINIMUM THICK OVER
 NICKEL UNDERPLATE FOR CONTACTS 3-644343-2.
- 2. CONTACTS ACCEPT 26 AWG WIRE WITH 1.52 [.060] MAXIMUM INSULATION DIAMETER.
- 3. CONTACTS MUST ACCEPT 0.64±0.03 [.025±.001] SQUARE POST AND REMAIN
 LOCKED IN POSITION.
- 4 IDENTIFICATION NUMBER FOR LAST CIRCUIT MAY NOT APPEAR ON ALL ASSEMBLIES.
- 5. DIMENSIONS IN BRACKETS ARE IN INCHES.
- 6. HOUSING FEATURES ARE: CLOSED END WITH LOCKING RAMP & LED CONTACT.



LEAD FREE			
	5.08 [.200]	2	3-644343-2
	DIM A	NO.OF POSN	ASSEMBLY

CONTAINS LEAD			
	5.08 [.200]	2	644343-2
	DIM A	NO.OF POSN	ASSEMBLY

METRIC

THIS DRAWING IS A CONTROLLED DOCUMENT.

DIMENSIONS: mm [NCHES]	TOLERANCES UNLESS OTHERWISE SPECIFIED: 0. PLC ± 1. PLC ± 2. PLC ± 0.13 [.005] 3. PLC ± 4. PLC ± ANGLES ±	DWN S. HOOVER 10-DEC-2004 CHK D. BOSSI 10-DEC-2004 APVD D. BOSSI 10-DEC-2004	NAME MTA-100 CONNECTOR ASSEMBLY, 26 AWG, FOR .014 TO .020 POST, TAPE MOUNTED, SPECIAL
MATERIAL 1	FINISH 1	PRODUCT SPEC 108-1050 APPLICATION SPEC 114-1019	SIZE CAGE CODE DRAWING NO A1 00779 C=644343
CUSTOMER DRAWING		RESTRICTED TO	SCALE 6:1 SHEET 1 OF 1 REV D